

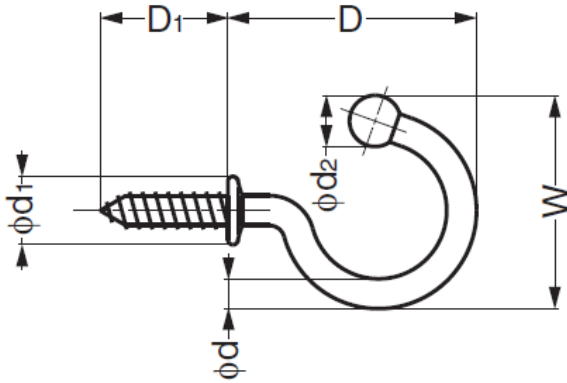
GTL Stainless Steel Wire Hook

Features

- Rounded tip provides safety

Material

- Stainless steel 304, polished

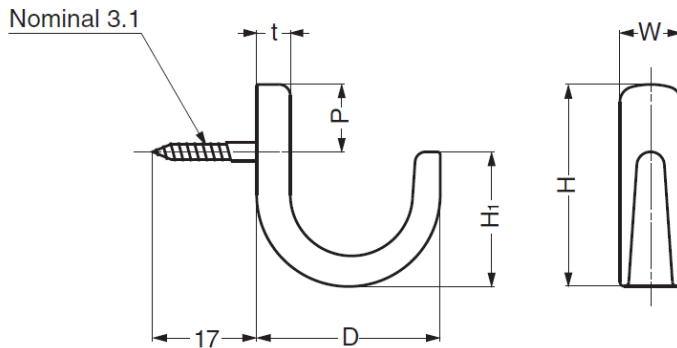


Part No.	D	D ₁	W	d	d ₁	d ₂	Load Capacity	
GTL-15	16.8	11	15	2.7	6.5	4.5	49 N	5 kg
GTL-20	22.8		20					
GTL-30	29.2	15	25	3.5	8	6	117.6 N	12 kg
GTL-40	40.5	20	34	4.5	10	7.5		

GCS/GCL Stainless Steel Wire Hook

Material

- Stainless steel 304, mirror finish



Part No.	D	W	H	H ₁	P	t	Load Capacity	
GCS-22	22	9	27	15	9	4	49 N	5 kg
GCL-30	30	10	33	22	11	5	78.4 N	8 kg